



# QwickBuild® Product Catalog

## Deck framing system



### Contents

- A100 Joist/Beam, Post Profiles
- A200 Brackets & Components
- A300 Brackets
- A400 Fasteners
- A500 Composite Board Fixings
- A600 Hardwood Board Fixings
- A700 Tile Fixings & Components
- A800 Turf Fixings & Components
- + Additional Solutions
- A900 Supports

---

[outdure.com](http://outdure.com)



Product Catalog: QwickBuild® #1 Deck Framing System

# A100 Profiles

[www.outdure.com](http://www.outdure.com)



**A100-20-58**  
Joist-Beam Profile

13 X 45 X 5800mm  
(2 X 1/2" X 20')

Material: Aluminium 6063-T6 Powder Coated - Black



**A110-20-58**  
Joist-Beam Profile

28 X 45 X 5800mm  
(2 X 1" X 20')

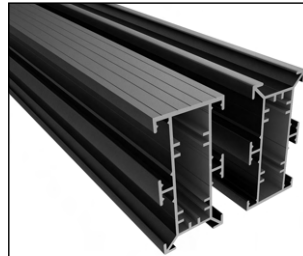
Material: Aluminium 6063-T6 Powder Coated - Black



**A120-20-58**  
Joist-Beam Profile

45 X 45 X 5800mm  
(2 X 2" X 20')

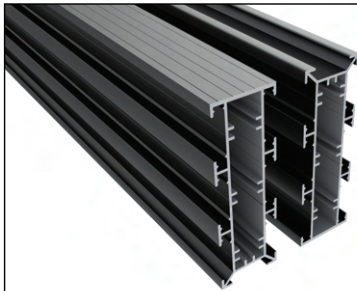
Material: Aluminium 6063-T6 Powder Coated - Black



**A130-20-58**  
Joist-Beam Profile

90 X 45 X 5800mm  
(2 X 4" X 20')

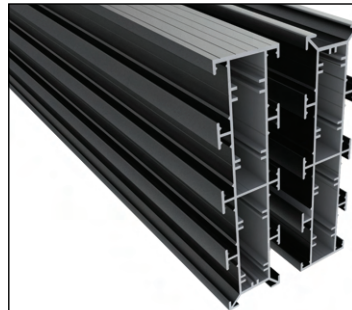
Material: Aluminium 6063-T6 Powder Coated - Black



**A140-20-58**  
Joist-Beam Profile

135 X 45 X 5800mm  
(2 X 6" X 20')

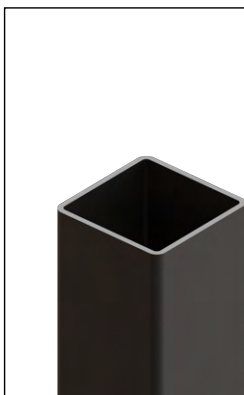
Material: Aluminium 6063-T6 Powder Coated - Black



**A150-20-58**  
Joist-Beam Profile

180 X 45 X 5800mm  
(2 X 8" X 20')

Material: Aluminium 6063-T6 Powder Coated - Black



**A194-10-28**  
Post Profile

90 X 90 X 2800mm  
(4 X 4" X 10')

Material: Aluminium  
6063-T6 Powder Coated - Black



**A195-20-58**  
Post Profile

135 X 135 X 5800mm  
(6 X 6" X 20')

Material: Aluminium  
6063-T6 Powder Coated - Black



Product Catalog: QwickBuild® #1 Deck Framing System

# A200 Brackets & Components

For all profiles excluding A100 & A110 [www.outdure.com](http://www.outdure.com)




**A201-10X**  
90° Bracket

A multi-purpose bracket for connecting profiles

Material: SS304 Electrophoresis - Black  
Included: A401-50X Screws

ALL.QB.BR.90.304.10X

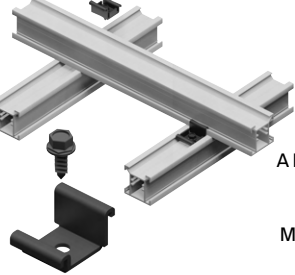


**A202-10X**  
Joiner Bracket

A bracket for connecting profiles end-to-end

Material: SS304 Electrophoresis - Black  
Included: A401-50X Screws

ALL.QB.BRACLEATF.10X



**A203-25X**  
Joist Anchor Bracket

A bracket for connecting joists to beams

Material: SS304 Electrophoresis - Black  
Included: A401-50X Screws

ALL.QB.BR.JA.304.25X (A204-25X)

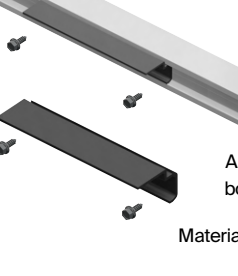


**A205-20X**  
Double Joist Bracket

A bracket that creates a double joist to support board-ends when using TwistClips

Material: Aluminum 6063-T6 Powder Coated - Black  
Included: A401-50X Screws

ALL.QB.JO.DJB.20X (A206-20X)




**A206-20X**  
Double Joist Bracket FLAT

A bracket that creates a double joist to support board-ends &/or for fixing trim under a rim joist

Material: Aluminum 6063-T6 Powder Coated - Black  
Included: A401-50X Screws

ALL.QB.JO.DJB.FLAT.20X (A207-20X)



**A207-10X**  
Brace Plate Bracket

A bracket for connecting profiles top-to-bottom in parallel

Material: SS304 Electrophoresis - Black  
Included: A401-50X Screws




**A208-10X**  
Trim Bracket

A bracket that supports a trim board


Material: Aluminum 6063-T6 Powder Coated - Black

ALL.QB.BR.TRIM180-45.10X



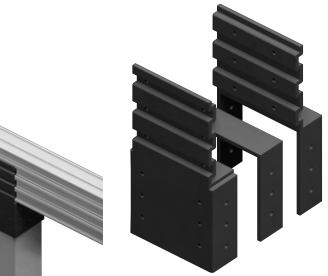
**A210**  
Bracket A  
For Beam to A194 Post  
4 X 4"

Material: Aluminum 6063-T6 Powder Coated - Black



**A211**  
Bracket B  
For Beam to A194 Post  
4 X 4"

Material: Aluminum 6063-T6 Powder Coated - Black



**A212**  
Bracket Kit  
For Beam to A195 Post  
6 X 6"

Material: Aluminum 6063-T6 Powder Coated - Black



**A220-2X**  
Beam End Cap

Finishing over open-ends of beams

Material: Aluminum 6063-T6 Powder Coated - Black

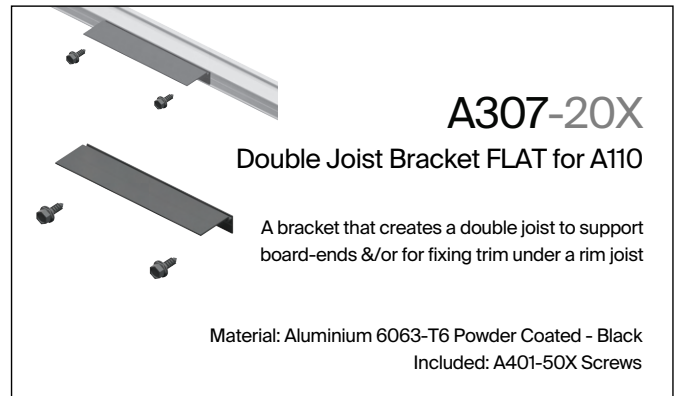
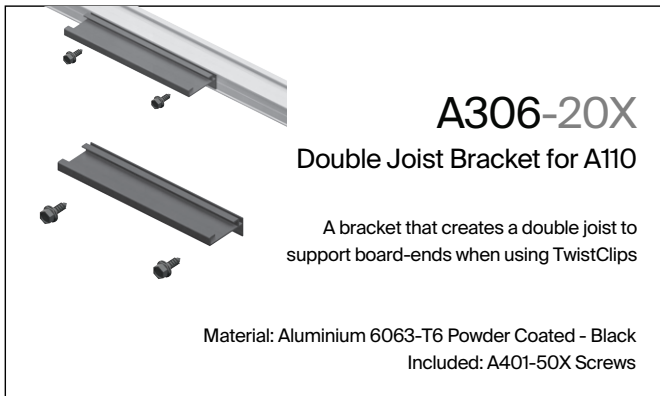
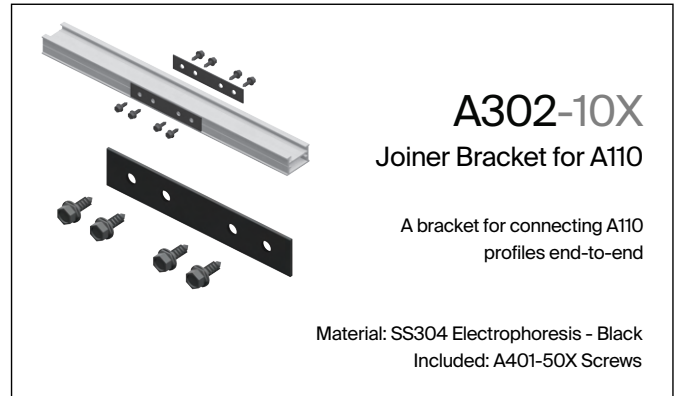
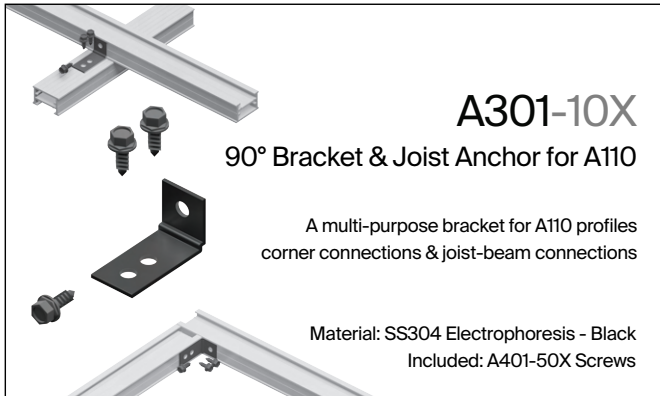





Product Catalog: QwickBuild® #1 Deck Framing System

## A300 Brackets

For A110 profiles [www.outdure.com](http://www.outdure.com)






**A401-50X**  
Self-drilling screw 5/8"

Included with most components

Length: 5/8", Head: Hex, Driver: 3/8"  
Material: SS304 Electrophoresis - Black


ALL.SC.QB-H16



**A402-50X**  
Self-drilling screw 1 1/4"

With a coarse thread for wood

Length: 1 1/4", Head: Hex, Driver: 3/8"  
Material: SS304 Electrophoresis - Black




**A403-50X**  
Type 17 screw 2 1/2"

With a coarse thread for wood

Length: 2 1/2", Head: Hex, Driver: 3/8"  
Material: SS304 Electrophoresis - Black


ALL.SC.QB-H65



**A404-50X**  
Type 17 screw 5"

With a coarse thread primarily for solid blocking (railing)

Length: 5", Head: Hex, Driver: 3/8"  
Included: Washer. Material: SS304 Electrophoresis - Black




**A409-50X**  
Self-drilling screw 3/4"

For securing A510-A580 TwistClips in channel &/or in to control board expansion/contraction

Length: 3/4", Head: CSK, Driver: Torx 15  
Material: SS304 Electrophoresis - Black


ALL.SC.QB-C20-7



**A410-10X**  
M12 Bolt 1/2 X 4"

For QwickBuild connections, typically bearer to post


Length: 4", Thread Diameter: 1/2", Head: Hex  
Material: SS304. Included: 1X Locking Nut, 2X Washers



**A411-10X**  
M12 Bolt 1/2 X 6"

For QwickBuild connections, typically bearer to post


Length: 6", Thread Diameter: 1/2", Head: Hex  
Material: SS304. Included: 1X Locking Nut, 2X Washers



**A412-10X**  
M12 Bolt 1/2 X 8"

For QwickBuild connections, typically bearer to post


Length: 8", Thread Diameter: 1/2", Head: Hex  
Material: SS304. Included: 1X Locking Nut, 2X Washers



**A413-10X**  
M12 Bolt 1/2 x 10"

For QwickBuild connections, typically bearer to post

Length: 10", Thread Diameter: 1/2", Head: Hex  
Material: SS304. Included: 1X Locking Nut, 2X Washers



**A420**  
Driver Pack

Hex 3/8" Length: 3"  
Hex 3/8" Length: 2"  
Torx 20 - 2x  
Torx 15 - 2x

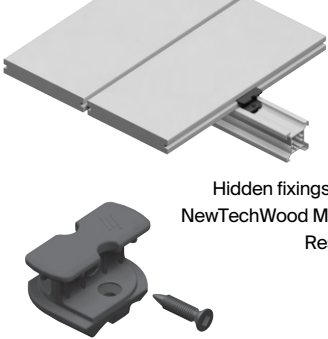
ALL.QB.DRIVER.PACK1



Product Catalog: QwickBuild® #1 Deck Framing System

# A500 Composite Board Fixings

To A100 profiles [www.outdure.com](http://www.outdure.com)



**A510-50X**  
TwistClip

Hidden fixings to interlock QwickBuild joist with:  
NewTechWood Magellan, NewTechWood Voyager,  
ResortDeck, CasaDeck, A801, A840

Gap: 1/4"

Material: Polypropylene - Black  
Included: A409-50X Screws

ALL.QB.QC.T06.23.50X



**A511-50X**  
TwistClip HALF

Hidden fastener for the transition  
between tiles and decking boards

Gap: 1/4"

Material: SS304 Electrophoresis - Black

ALL.QB.QC.T06H.23.50X



**A512-50X**  
T - Clip

Hidden fastener for composite decking  
between tiles and decking boards

Gap: 1/4"

Material: SS304 Electrophoresis - Black

ALL.QB.QC.06-50X



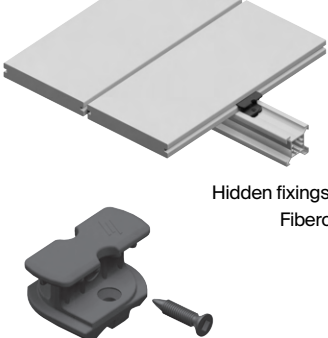
**A520-50X**  
TwistClip

Hidden fixings to interlock QwickBuild joist with:  
Trex Transcend, TimberTech Azek Reserve,  
TimberTech Terrain, TimberTech Vintage

Gap: 1/4"

Material: Polypropylene - Black  
Included: A409-50X Screws

ALL.QB.QC.T06.24.50X-TX

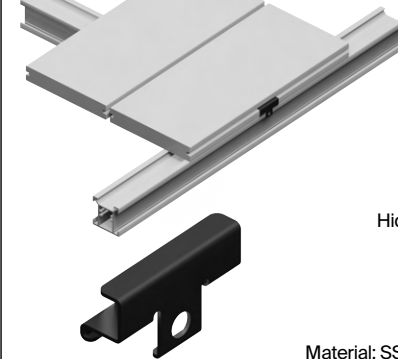


**A550-50X**  
TwistClip

Hidden fixings to interlock QwickBuild joist with:  
Fiberon Paramount, Fiberon Sanctuary,  
Fiberon Promenade

Gap: 1/4"

Material: Polypropylene - Black  
Included: A409-50X Screws




**A590-25X**  
Starter Clip

Hidden fastener for the starting  
composite decking board,  
A801, A840 to the rim joist

Material: SS304 Electrophoresis - Black

ALL.QB.QC.SNAP.RD25X

Please test to ensure effective fit & function of TwistClips. Outdure can not take responsibility for any variances in board dimensions manufactured by other brands. Refer to Outdure's online QwickBuild catalog for updates.



**A595-50X**  
Screw Grey Head 2"

Self-drilling screw to fix composite  
decking boards to QwickBuild joists

Length: 2", Head: Flat, Driver: Torx 20  
Material: SS304 - Grey Head

ALL.SC.QB-F45-GR (A582-50X)



**A596-50X**  
Screw Brown Head 2"

Self-drilling screw to fix composite  
decking boards to QwickBuild joists

Length: 2", Head: Flat, Driver: Torx 20  
Material: SS304 - Brown Head

ALL.SC.QB-F45-BN (A583-50X)



Product Catalog: QwickBuild® #1 Deck Framing System

## A600 Hardwood Board Fixings

To A100 profiles [www.outdure.com](http://www.outdure.com)



### A610-50X

Screw for Hardwood - T20

1 1/2"

Self-drilling screw for fixing hardwood timber boards,  
of thickness: <1" to QwickBuild joists

Length: 1 1/2", Head: CSK  
Head Diameter: 3/8", Driver: Torx 20. Material: SS304

ALL.SC.QB-C36-9



### A611-50X

Screw for Hardwood - H4

1 1/2"

Self-drilling screw for fixing hardwood timber boards,  
of thickness: <1" to QwickBuild joists

Length: 1 1/2", Head: CSK  
Head Diameter: 1/2", Driver: H4. Material: SS304

ALL.SC.QB-C36-12



### A620-50X

Screw for Hardwood - T20

1 3/4"

Self-drilling screw for fixing hardwood timber boards,  
of thickness: 1 - 1 1/2" to QwickBuild joists

Length: 1 3/4", Head: CSK  
Head Diameter: 3/8", Driver: Torx 20. Material: SS304

ALL.SC.QB-C45-9



### A621-50X

Screw for Hardwood - H4

1 3/4"

Self-drilling screw for fixing hardwood timber boards,  
of thickness: 1 - 1 1/2" to QwickBuild joists

Length: 1 3/4", Head: CSK  
Head Diameter: 1/2", Driver: H4. Material: SS304

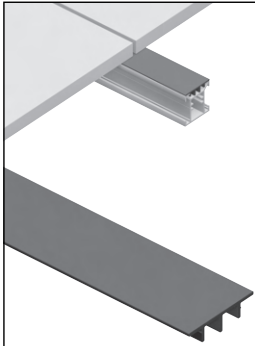
ALL.SC.QB-C45-12



Product Catalog: QwickBuild® #1 Deck Framing System

# A700 Tile Fixings & Components

To A100 profiles [www.outdure.com](http://www.outdure.com)

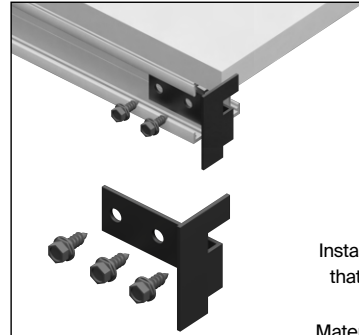


**A701**  
Tile Rubber Bead  
40"

Seats into top of QwickBuild joist to isolate noise & friction

Material: EPDM Rubber

ALL.QB.TI.RUBBEAD.LM

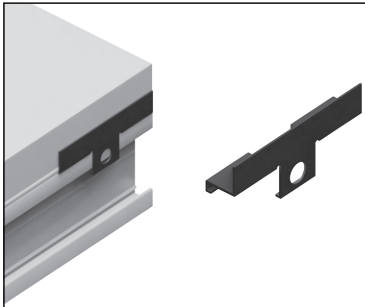


**A702-25X**  
Tile Retainer Bracket

Retains perimeter tiles  
Install retainer brackets at ends of joists that are perpendicular to edge of deck

Material: SS304 Electrophoresis - Black  
Included: A401-50X Screws

ALL.QB.TI.RET.BR.25X

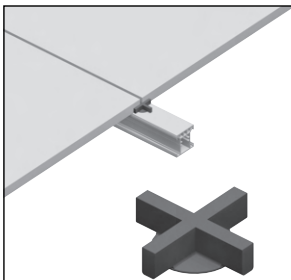


**A703-25X**  
Tile Retainer Snap Clip

Retains perimeter tiles  
Install snap clips along the edge of perimeter joists

Material: SS304 Electrophoresis - Black

ALL.QB.TI.RET.SN.25X

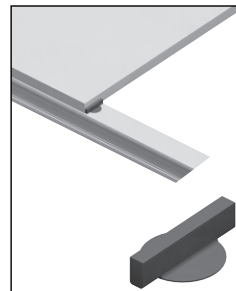


**A710-25X**  
Tile Spacer Cross

To evenly space tiles installed on QwickBuild deck framing system  
Gap: 1/4"

Material: Polypropylene - Black

ALL.QB.TI.SPX5MM.25X



**A711-25X**  
Tile Spacer Straight

For straight spaces between tiles installed on QwickBuild deck framing system  
Gap: 1/4"

Material: Polypropylene - Black

ALL.QB.TI.SP55MM.25X



**A712-10X**  
Tile Trim Bracket

A bracket that supports a tile as trim

Material: Aluminum 6063-T6 Powder Coated - Black

ALL.QB.BR.TRIM180-45.10X

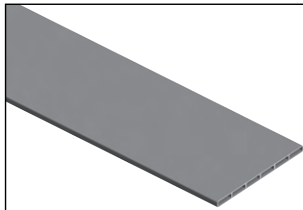




Product Catalog: QwickBuild® #1 Deck Framing System

## A800 Turf Fixings & Components

www.outdure.com



**A801**  
Turf Baseboard  
5 1/2 X 1/4 X 10'

To support turf on to QwickBuild joists  
Material: Aluminium 6063-T6 Powder Coated - Black

ALL.QB.QF.138X08X2.8



**A810-50X**  
Screw for Turf  
3/4"

Self-drilling screw for fixing turf to A801 baseboards

Length: 3/4", Head: Flat, Driver: Philips  
Material: SS304 Electrophoresis - Black

ALL.SC.QB-F20

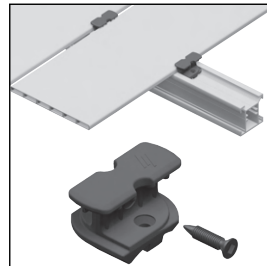


**A811-50X**  
Screw for Turf Baseboards  
1 1/4"

Self-drilling screw for fixing A801 baseboards to QwickBuild joists

Length: 1 1/4", Head: Flat, Driver: Philips  
Material: SS304 Electrophoresis - Black

ALL.SC.QB-F30



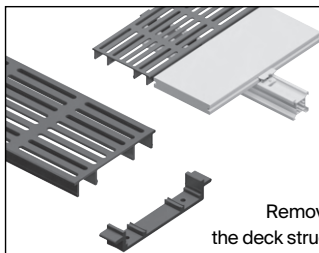
**A510-50X**  
TwistClip

Hidden fixings for specific composite decking ranges + A801 & A840 to QwickBuild profiles

Gap: 1/4"

Material: Polypropylene - Black  
Included: A409-50X Screws

ALL.QB.QC.T06T.23.50X

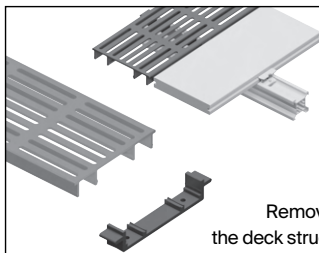


**A831**  
QwickGrate Kit - Black  
6 X 1" X 10'

Removeable grates to access services under the deck structure & to promote airflow & ventilation

Material: Aluminium 6063-T6 Anodised - Black. Included: Snap Mounts

ALL.QB.QG.138X23X2.8.B

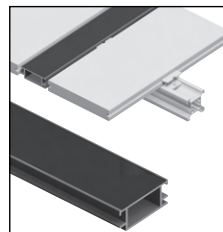


**A832**  
QwickGrate Kit - Silver  
6 X 1" X 10'

Removeable grates to access services under the deck structure & to promote airflow & ventilation

Material: Aluminium 6063-T6 Anodised - Silver. Included: Snap Mounts

ALL.QB.QG.138X23X2.8.S



**A840**  
Anti-slip Strip with 3M Safety Walk  
2 X 1" X 10'

Anti-slip for stairs & access ways  
Fix to QwickBuild with TwistClip A510

Material: Aluminium 6063-T6 Anodised - Silver

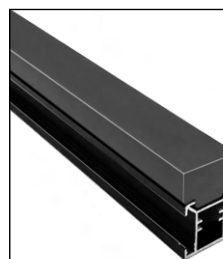
ALL.QB.AS.054x23.M



**A851-4-12**  
Solid Blocking  
6 X 6" X 4'

Solid framing blocking for railing and posts

Material: Recycled HDPE



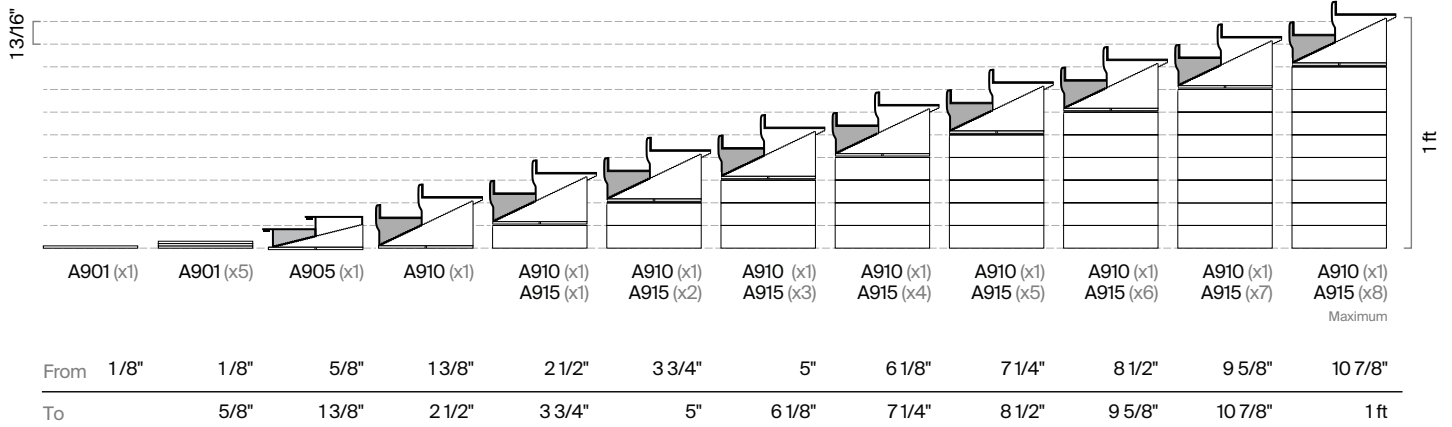
**A855-10-28**  
Batten  
2 X 2" X 10'

Universal plastic composite batten that facilitates top-down fixing of decking boards

Material: Recycled HDPE

## A800 Additional Solutions


Support Height Combinations




**A901-20X**  
Deck Support Packer

Height:  
1/8"

Stackable: 5X maximum  
Material: Rubber



**A905-10X**  
Deck Support Adjustable

Height-adjustable range:  
5/8 - 13/8"


Material: Polypropylene - Black. Included: Protection Pad



**A910-10X**  
Deck Support Adjustable

Height-adjustable range:  
13/8 - 2 1/2"


Stack A915 under A910: 8X maximum  
Material: Polypropylene - Black. Included: Protection Pad



**A915-10X**  
Deck Support Extender

Height:  
13/16"

Stack A915 under A910: 8X maximum  
Material: Polypropylene - Black



**A920-10X**  
Deck Support Slope Corrector - Up to 7%

Height:  
3/8"

Optional item - Stacks under A910  
Material: Polypropylene - Black



**A925-10X**  
Deck Support Protection Pad - Acoustic

Height:  
3/8"

Optional item - Stacks under A910  
Material: Rubber